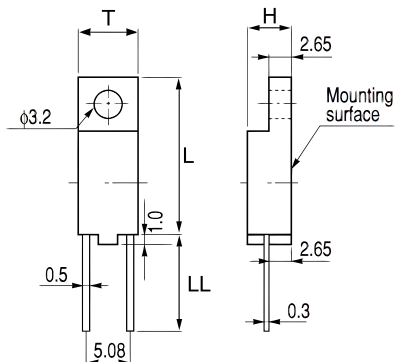


KEMET Part Number: OHD5R-130B
(USEO5R130B0000)

KEMET, OHD, Thermal Reed Switch, Radial, 5C Temperature Accuracy, High Reliability, High-Speed Response, Long Operational Life, Excellent Environmental Durability, High Temperature Accuracy, 130°C, Break



| General Information | |
|---------------------|---|
| Series: | OHD |
| Type: | Thermal Reed Switch |
| Style: | Radial |
| Description: | Thermal Guard |
| Features: | High Reliability, High-Speed Response, Long Operational Life, Excellent Environmental Durability, High Temperature Accuracy |
| Lead: | Wire Leads |
| RoHS: | Yes |

| Dimensions | |
|------------|--------|
| L | 18.1mm |
| H | 5mm |
| T | 6.7mm |
| LL | 10mm |

| Packaging Specifications | |
|----------------------------|-----------|
| Packaging: | Tray, Box |
| Packaging Quantity: | 700 |
| Weight: | 1.1 g |

| Specifications | |
|-------------------------------------|---|
| Switching Temperature: | 130C +/-5C |
| Temperature Range: | -20/+150C |
| Contact Type: | Break |
| Voltage DC: | 30 VDC MAX (Opening/Closing), 1500 VAC /1 minute or 1800 VAC /1 second |
| Current: | 0.1 Amps DC MAX (Opening/ Closing), 0.1 mAmps MIN (1VDC, Opening/Closing) |
| Resistance: | 300 mOhms MAX (Contact Resistance) |
| Max Opening/Closing Power: | 1 W (DC) |
| Max Opening/Closing Voltage: | 30 V (DC) |
| Differential Temperature: | 10C Maximum |