

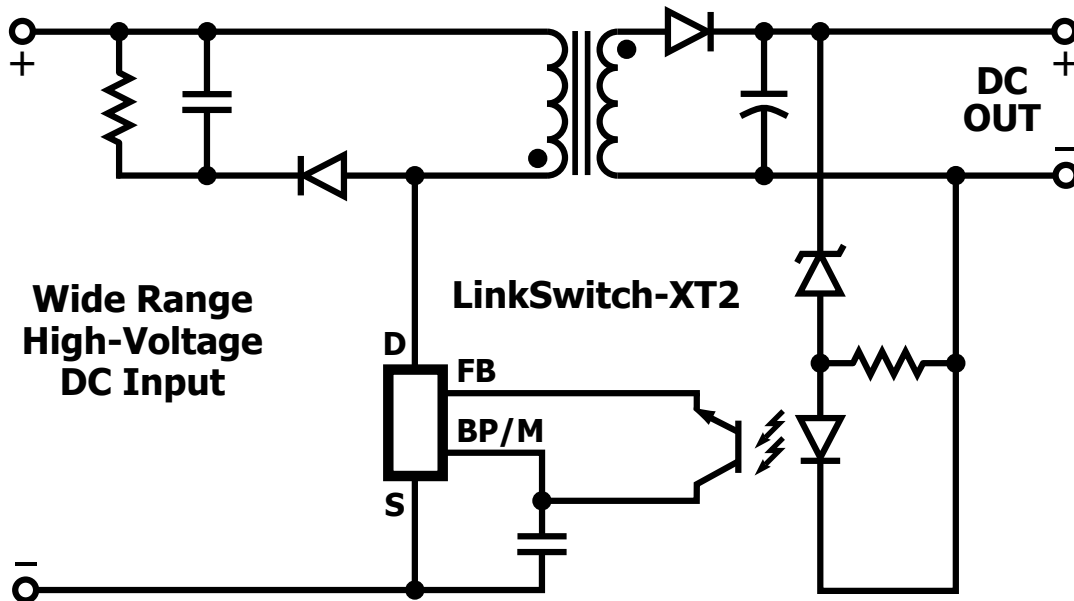
LinkSwitch™-XT2



Key Features

- Available with 725 V and robust 900 V MOSFETs
- Selectable device current limit
- Fully integrated auto-restart
- Frequency jittering greatly reduces EMI
- Meets high-voltage creepage and clearance

Energy Efficient, Low Power Off-Line Switcher IC



PI-8118-102516

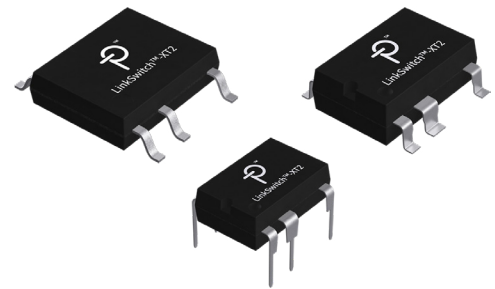
Applications

- Appliances
- Industrial systems
- Metering

Output Power

Part Number	Peak or Open Frame (W) 725 V MOSFET	
	230 VAC ±15%	85–265 VAC
LNK3604	9.2	6.1

Part Number	Peak or Open Frame (W) 900 V MOSFET	
	230 VAC ±15%	85–484 VAC
LNK3694*	6	4
LNK3696*	11	8



Package Options:
P: PDIP-8C, G: SMD-8C, D: SO-8C

* Available in PDIP-8C or SO-8C package only.

Design Support

- Data Sheet: LinkSwitch-XT2 data sheet (<http://bit.ly/2Qz6kNA>)
- Reference Design: 7 W, wide range input, dual output, nonisolated flyback converter (DER-736) (<http://bit.ly/2CE7Hb1>)
- Reference Design: 2.5 W, universal input, non-isolated flyback converter (DER-578) (<http://bit.ly/2NwOQja>)
- ECAD Models: Download symbol, footprint, and 3D models (<http://bit.ly/2E9oNyS>)