



ENGLISH

Datasheet

RS Pro Low Profile Resistor

RS Stock No. from 1852402~1852445 (Details see below)

Product details :

100 Watt Low Profile power resistor suitable for multiple industries & applications including-

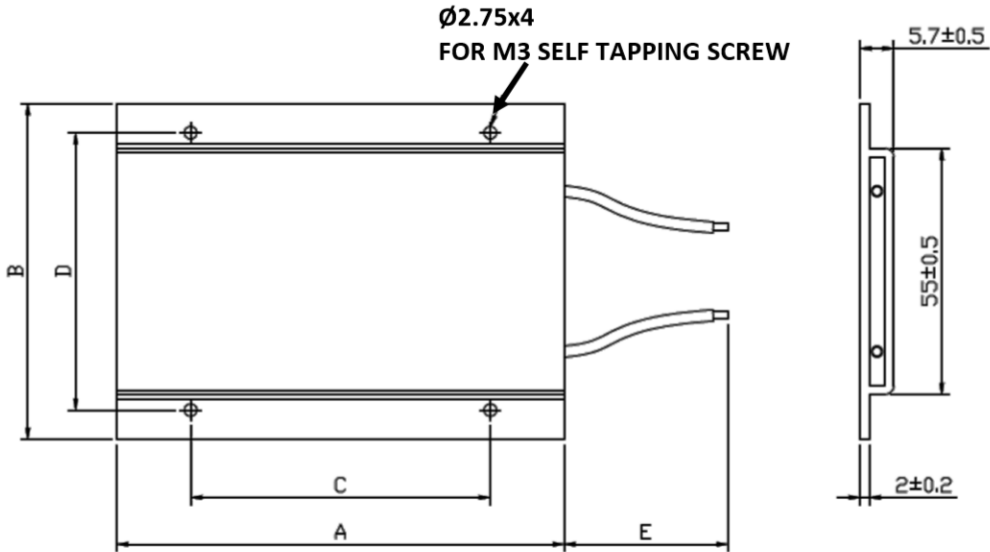
- EV's.
- Power Supplies.
- Control devices.
- Robotics.



Specifications :

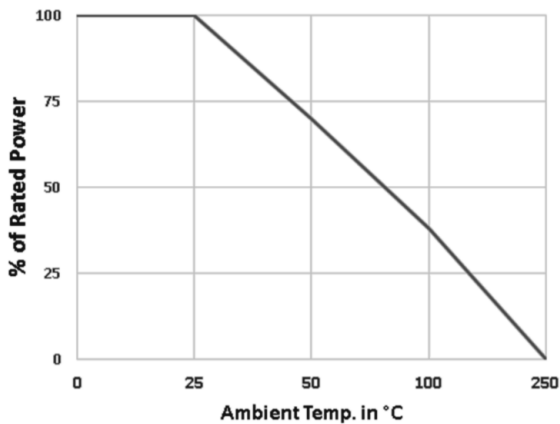
Rated Power	With Heatsink	Free Air
	100W	50W
Resistance Range	3.3Ω to 1KΩ	
Tolerance	5%	
Insulation Resistance	>100MΩ	
Short Term Overload	5 times Rated Power for 5 Seconds	
Dielectric Strength	2500VAC RMS For 60 Seconds	
Recommended Heatsink	300mm(W) x300mm(L) 3mm(H)	
Operating Temperature	-25°C to 250°C	

Dimensions in mm :

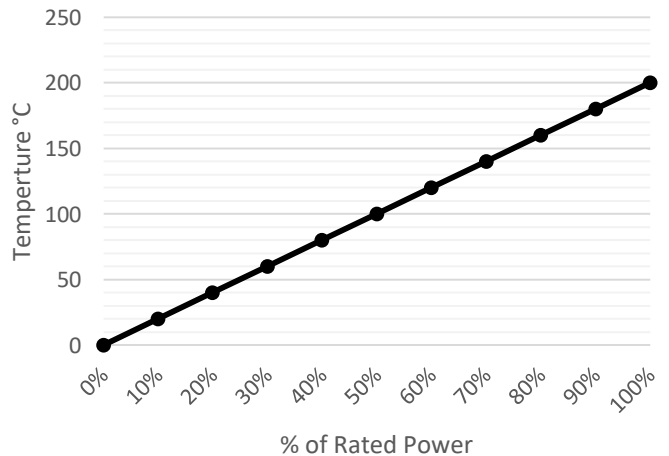


Series	A Max	B Max	C±0.2	D±0.2	E±5.0
RSLPR100	100	75	67	62	200

Derating Curve :



Temperature Rise Curve (With Heatsink)



RS Stock No.	Rated Power	Resistance Value
1852402	100W	100R J
1852403	100W	18R J
1852404	100W	22R J
1852405	100W	270R J
1852406	100W	300R J
1852407	100W	30R J
1852409	100W	6R8 J
1852422	100W	10R J
1852423	100W	110R J
1852424	100W	120R J
1852425	100W	12R J
1852426	100W	150R J
1852427	100W	15R J
1852428	100W	1K J
1852429	100W	200R J
1852430	100W	20R J
1852431	100W	220R J
1852432	100W	25R J
1852433	100W	330R J
1852434	100W	33R J
1852435	100W	3R3 J
1852436	100W	40R J
1852437	100W	470R J
1852438	100W	47R J
1852439	100W	4R J
1852440	100W	4R7 J
1852441	100W	50R J
1852442	100W	5R J
1852443	100W	680R J
1852444	100W	68R J
1852445	100W	8R J